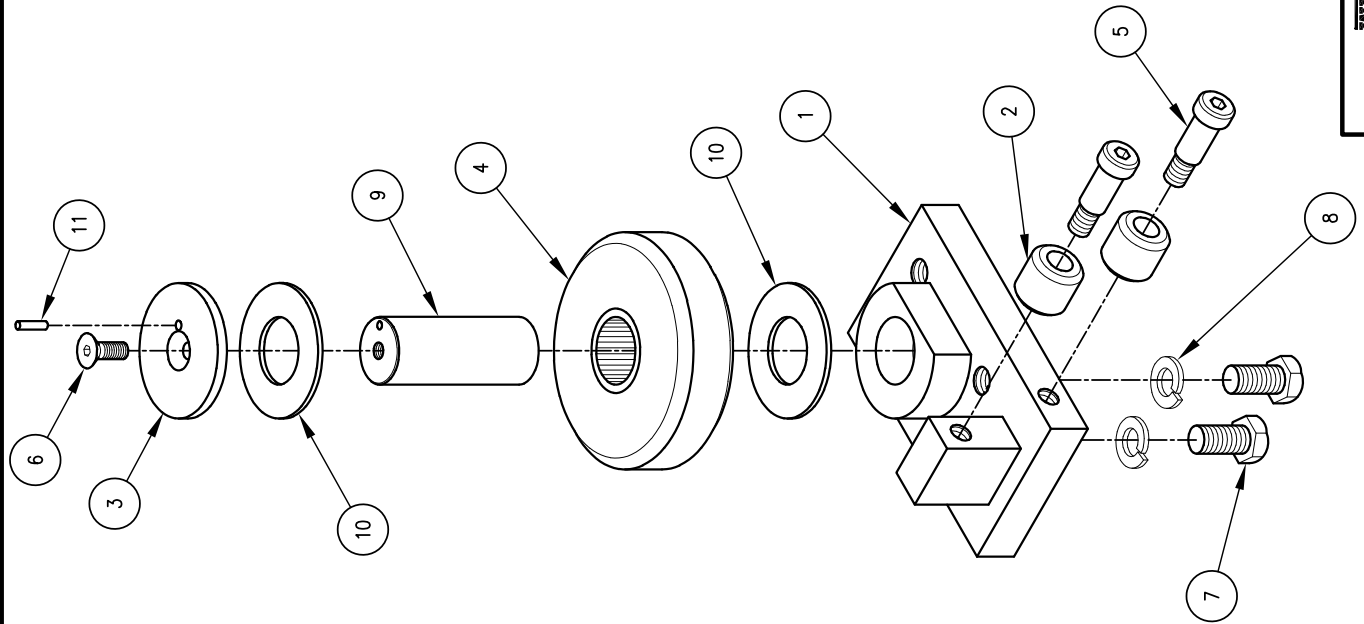


# BILL OF MATERIALS

ITEM	QTY.	DESCRIPTION	PART No.	SUFFIX
1	1	LOWER WHEEL BLOCK WELDMENT (R.H.)		
2	2	ROLLER GUIDE	LL1017	
3	1	STEEL WHEEL RETAINER	LL1244	
4	1	5 1/4" PA6G WHEEL ASSEMBLY	LL2758-5.25	
5	2	SOC HD SHLD BOLT 5/8" x 1 1/4" LG.	LL2340	
6	1	FHSHCS, 3/8-16 x 3/4" LG.	LL3084	
7	4	HHCS, 5/8-11 x 1 1/4" LG., GR. 8		
8	4	LOCK WASHER, 5/8" STD.		
9	1	STEEL WHEEL SHAFT	LL1242	
10	2	STEEL WHEEL SPACER WASHER	LL1243	
11	1	SLOTTED SPRING PIN, 3/16 DIA. x 3/4" LG.	A-HWM1690	STK



WEIGHT = 14#

<b>WILDECK</b>	R.H. LOWER WHEEL BLOCK ASSEMBLY PA6G WHEEL	DATE: 8-13-91 DRN BY: DFK	REV: <b>3</b> <b>1074-5.25</b>
----------------	---	------------------------------	-----------------------------------