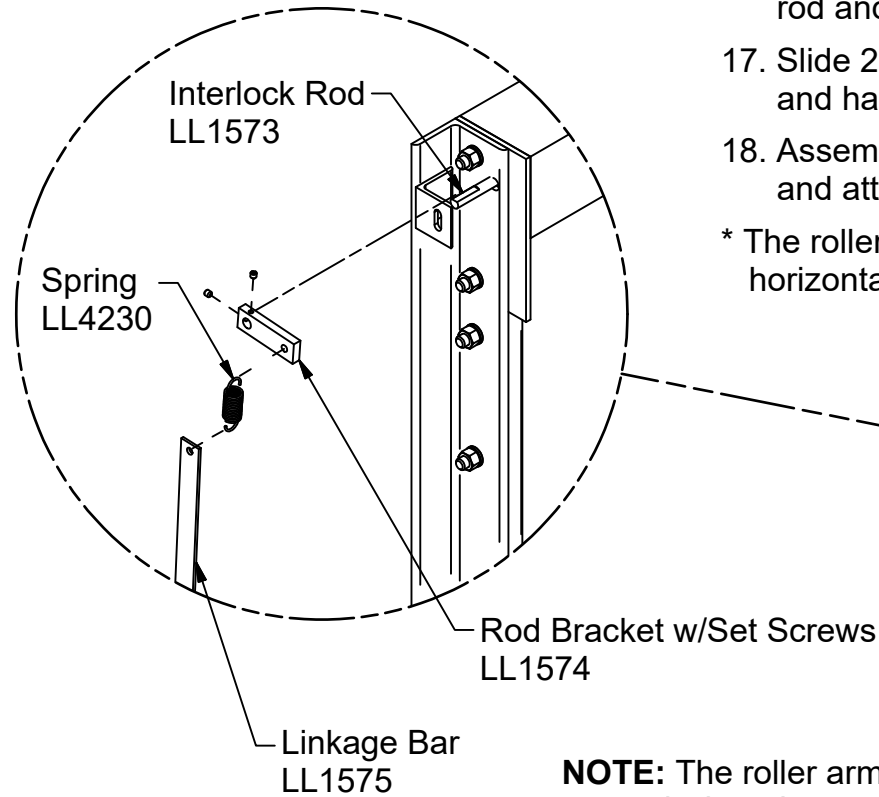


Bi-Parting Swing Gate Installation

Upper Level

16. Assemble rod bracket onto interlock rod and secure with set screws.
 17. Slide 2-3/4" spring onto rod bracket and hang linkage bar off spring.
 18. Assemble roller arm onto gate post tab and attach linkage bar to roller arm.
- * The roller arm should be positioned horizontally with carriage not present.



NOTE: The roller arm is to rotate upward when the carriage arrives at the floor level.

