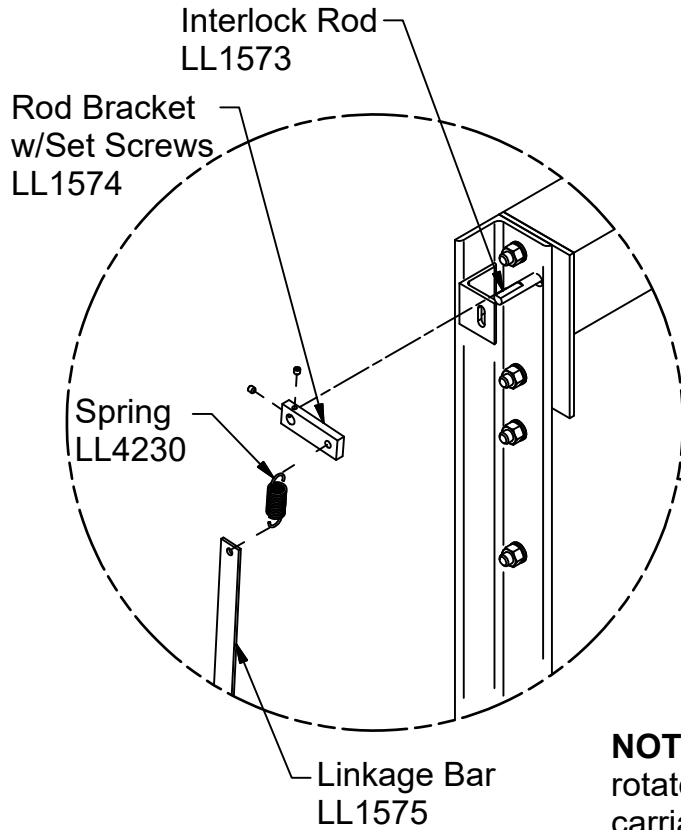


Bi-Parting Swing Gate Installation

Intermediate Levels



13. Assemble rod bracket onto interlock rod and secure with set screws.
 14. Slide 2-3/4" spring onto rod bracket and hang linkage bar off spring.
 15. Assemble roller arm onto gate post tab and attach linkage bar to roller arm.
- * The roller arm should be positioned at approx. 2 o'clock with carriage not present.

NOTE: The roller arm is to rotate upward when the carriage arrives at the floor level (from either direction).

