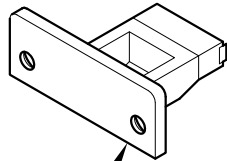
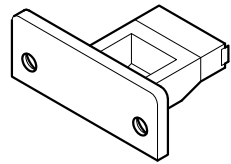
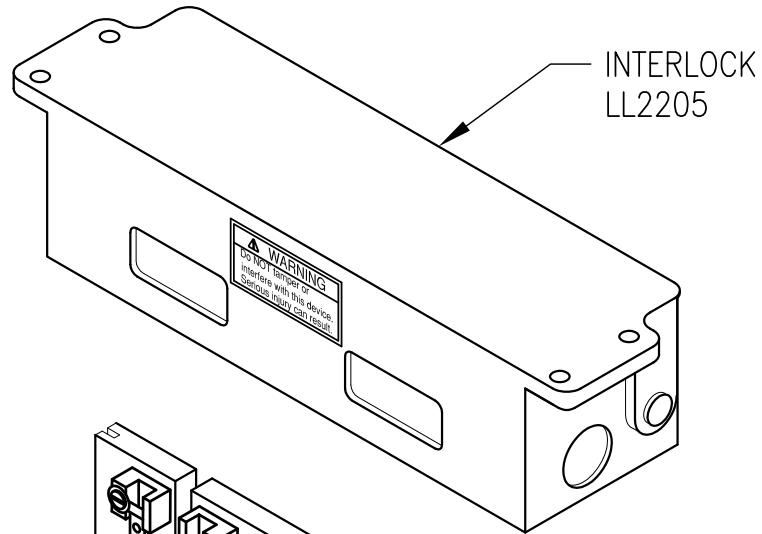


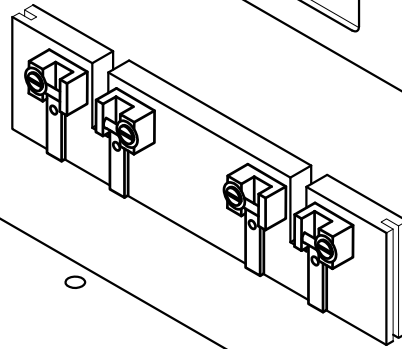
INTERLOCK COMES WITH ALL PARTS  
SHOWN ON THIS DRAWING  
(INTERLOCK, CONTACTS, COVER,  
KEEPERS)



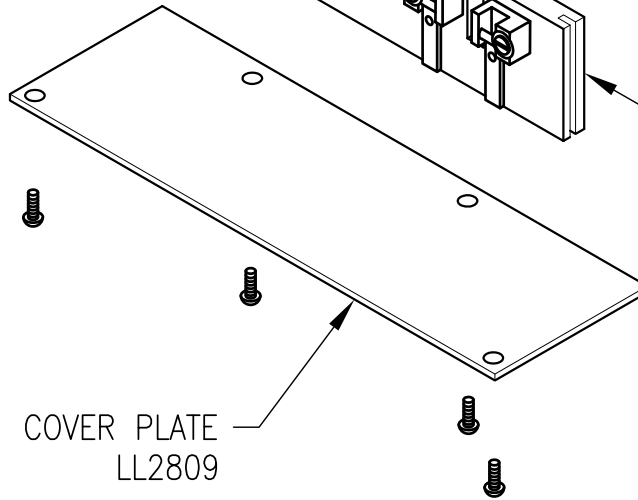
INTERLOCK KEEPER  
LL4200



INTERLOCK  
LL2205



CONTACT BLOCK  
LL2366



COVER PLATE  
LL2809



BI-PARTING SWING GATE INTERLOCK

DATE: 5-15-08  
DRN BY CRH

2205

REV