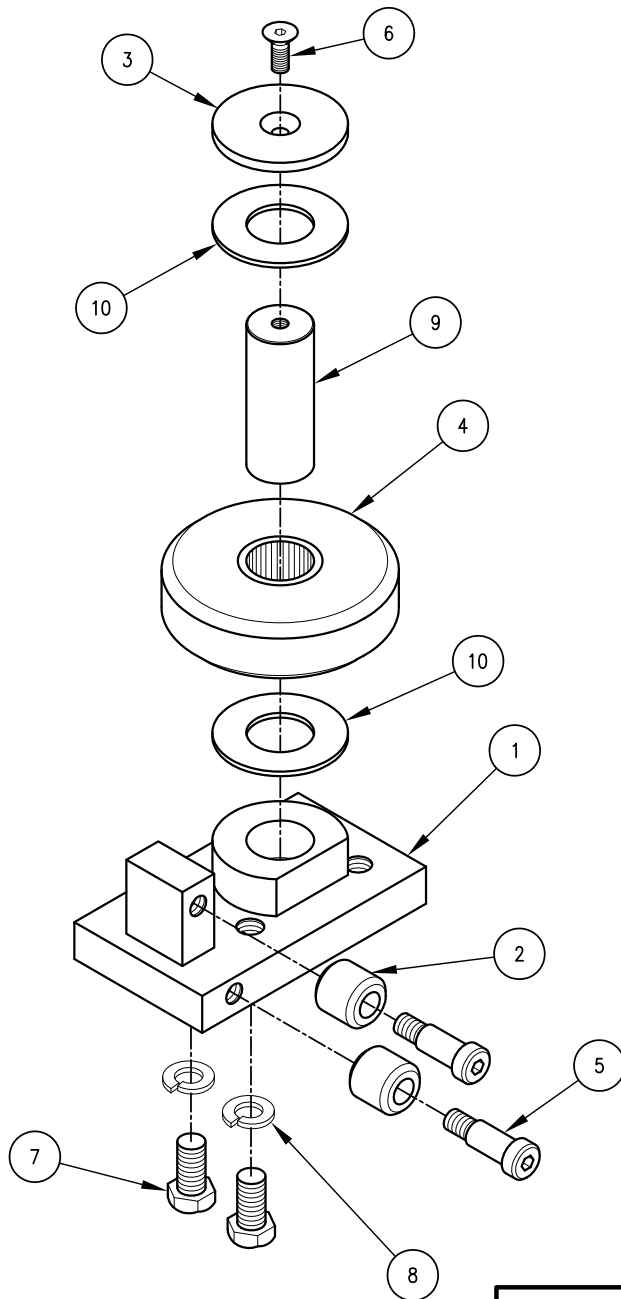


WEIGHT = 20.5#



BILL OF MATERIALS

ITEM	QTY.	DESCRIPTION	PART No.	SUFFIX
1	1	LOWER WHEEL BLOCK WELDMENT (R.H.)		
2	2	ROLLER GUIDE	LL1017	
3	1	STEEL WHEEL RETAINER	LL1244	
4	1	5 1/4" STEEL WHEEL ASSEMBLY	LL1241	
5	2	SOC HD SHLD BOLT 5/8"Ø x 1 1/4" LG.	LL2340	
6	1	FHSHCS, 3/8-16 x 3/4" LG.	LL3084	
7	4	HHCS, 5/8-11 x 1 1/4" LG., GR. 8		
8	4	LOCK WASHER, 5/8" STD.		
9	1	STEEL WHEEL SHAFT	LL1242	
10	2	STEEL WHEEL SPACER WASHER	LL1243	



R.H. LOWER WHEEL BLOCK ASSEMBLY
STEEL WHEEL

DATE: 8-13-91
DRN BY: DFK

1074

REV 1